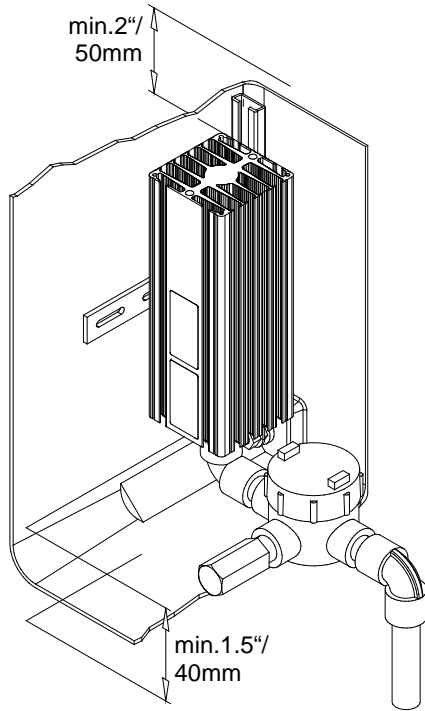


CP MICROTHERM C Electric heater

7 Installation Position and Minimum Clearances



9 Installation

When installing the heater, please make sure that the label remains clearly legible.

The INTERTEC universal mounting bracket that is supplied with the heater allows versatile installations.

Nuts and bolts are included in the mounting kit.

Strictly follow the MICROTHERM operating instructions during installation.

8 Electric Wiring

