



# SL POSTTHERM CNA Self-limiting Block Heater



## 7 Temperature Limitation

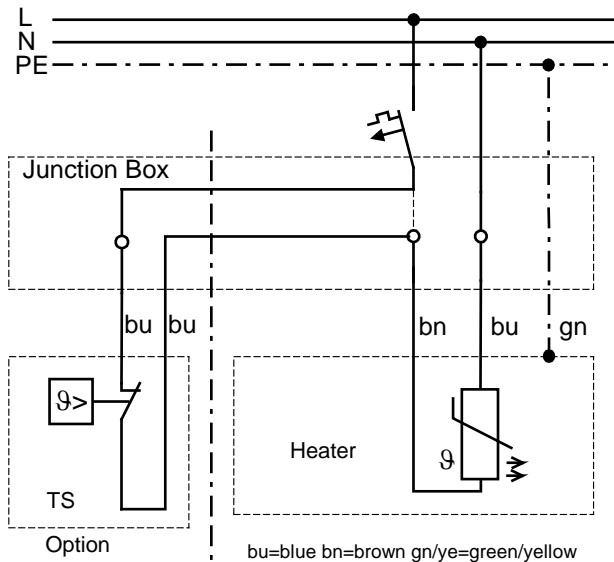
PTC-elements (Positive Temperature Coefficient) raise their electric resistance with rising temperature. High resistance means low heating power. The heating power gets very low at high temperatures so that the temperature cannot exceed the maximum temperature of the respective temperature class. The PTB Certificate of Conformity stipulates that the heat transfer coefficient of the surrounding enclosure must not be less than  $K=0,5 \text{ W/K}$ . All INTERTEC enclosures meet these requirements.

## 8 Supply Voltage

In addition to the above-mentioned temperature characteristics, the PTC-elements show a varistor effect. They control their resistance in accordance to the supply voltage. The nominal power supply voltage may be 110 V to 265 V with the same heater. The output may be a maximum of 15% higher than that shown in the diagramme overleaf.

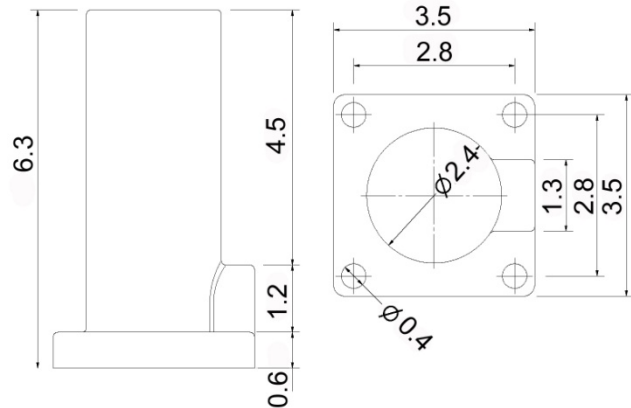
## 9 Electric Wiring

### 9.1 POSTTHERM with TS



Connection cable Silflex-EWKF 3x1,5 mm<sup>2</sup>, 1m long.  
Other lengths available upon request (at an extra charge).

## 10 Dimensions



## 11 Mounting

The block heater dissipates the heat by convection.

