



# SL FLAT THERM CPA ... Self-limiting Heater

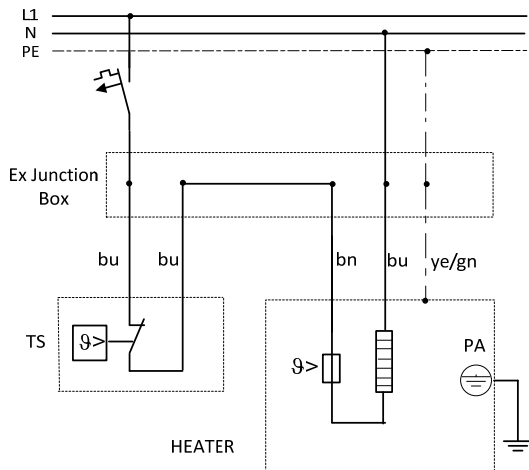
## 7 Temperature Limitation

PTC-elements (**P**ositive **T**emperature **C**oefficient) raise their electric resistance with rising temperature. High resistance means low heating power. The heating power turns low at high temperatures so that the temperature cannot exceed the maximum temperature of the respective temperature class. The heat transfer coefficient of the surrounding enclosure must not be less than  $K=0,5 \text{ W/ K}$ . All INTERTEC enclosures meet these requirements.

## 8 Supply Voltage

In addition to the above-mentioned temperature characteristics, the PTC-elements show a varistor effect. They control their resistance in accordance to the supply voltage. The nominal power supply voltage may be 110 V to 265 V with the same heater.

## 9 Electric Wiring Option TS thermostat



bu=blue bn=brown ye/gn=yellow/green bk=black gy=grey

## 10 Dimensions

