

MULTIBOX 70

Made of hot-pressed glassfibre reinforced polyester (GRP)
 Two-part construction, so that equipment can be installed in either the shallow or the deep part.
 Stackable design for space saving storage and transport
 Low flammability and self-extinguishing
 4 mounting elements in 316 stainless steel

- Color: light gray, RAL 7032
- EPDM seal
- Weight approx 18.7lbs, 8,5kg
- UV-resistant
- Protection class IP65

For further technical details → data sheet [KD015](#) & [KD112](#)

Dimensions	Height	Width	Depth
in inch (approx.)	25.2"	x 17.3"	x 13.4"
in mm (approx.)	640	x 440	x 340

Heat transition coefficient K	without window	with window
standard	5.4 W/K	6.0 W/K
arctic-GRP	1.7 W/K	2.3 W/K

Designs (Locking-type → data sheet [KD152](#))

- SV4** 4 latches in 316 stainless steel (standard)
- SE2** 2 hinges and 2 latches in 316 stainless steel, with angle for optional padlock

Lid Propstay (only design SE)

- LP** in plated steel
- LPSS** in stainless steel

} 1 pc.
 2 pcs.

Window

- FA** acrylic glass window
- FS** safety glass window

} mounted in
 TE
 TU

arctic additional Insulation

- PU foam, not stackable
- arctic-GRP** GRP lining

Explosion Protection

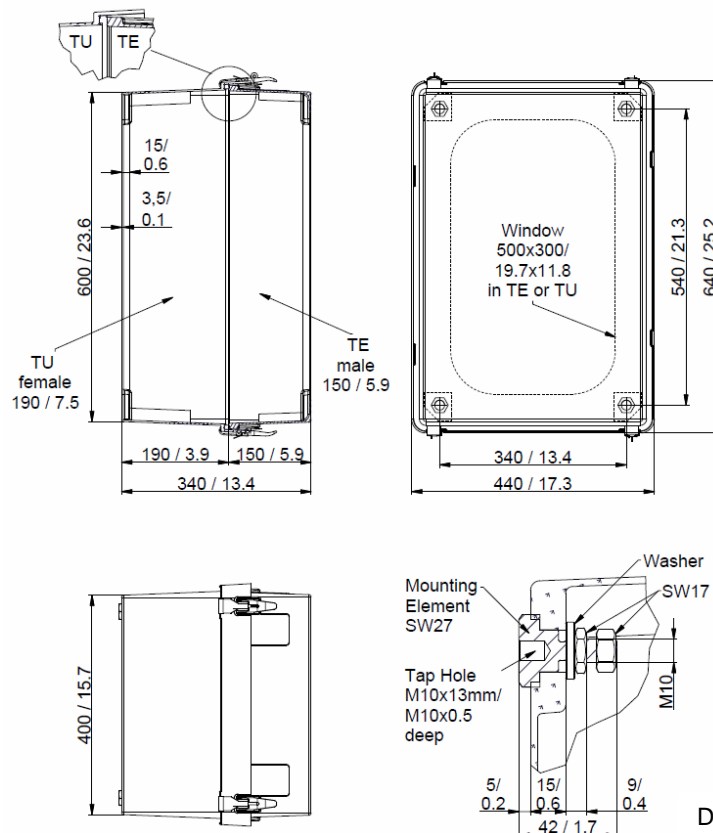
- GO** antistatic to avoid electrostatic charges according to DIN EN IEC 60079-0
- Ex p** preparation for pressurization according to DIN EN IEC 60079-2

Protection Class

- IP66** **IP67** **IP68**
- CSA Enclosure Type 4X (NEMA 4X)**

Vents and Drains (→ data sheet [KD184](#))

- LF** Labyrinth filter IP44
- DV** Vents and Drains IP66



Dimensions in inches/mm