

CLASSIC 110.xxx.xxx - single door

Reinforced glassfibre polyester parts, sandwich construction, insulated with polyurethane foam core
 Corner posts of GRP with vertical c-rails
 Textured surface in grey RAL 7032

Protection class IP65
 Vertical c-rails provided at the side wall and rear wall
 3-point locking device with lockable lever handle
 Roof overhang 25 mm/ 1.0" all around

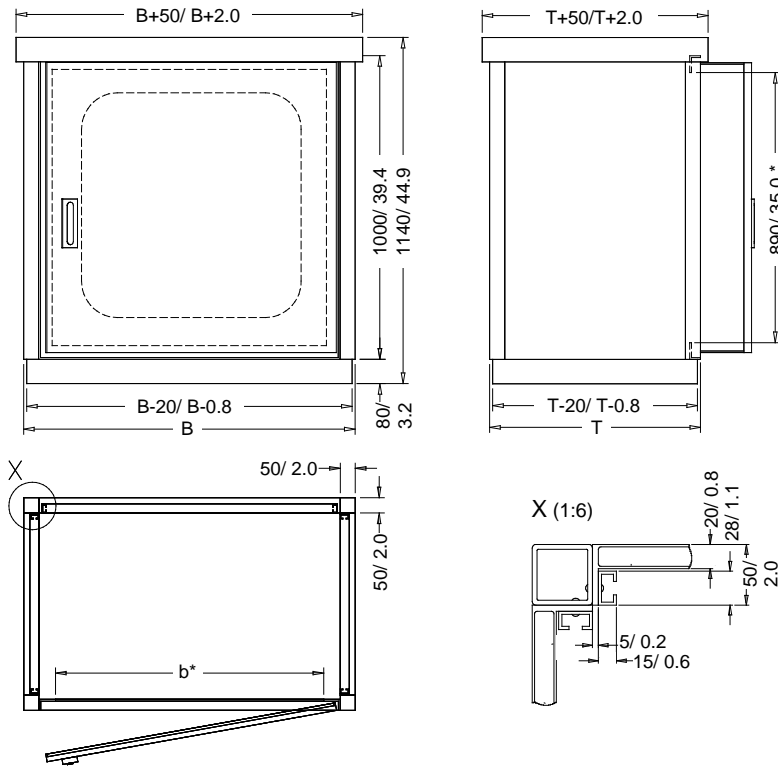
Arrangement

Floor (see data sheet [SD522](#) „Floor versions for classic series“)

Options

- MP** Mounting plate
- FA/FS** Acrylic glass/ Safety glass window

- SG** swing handle with key lock
- C-VA** Vertical c-rails in stainless steel instead of aluminium
- GO** antistatic to avoid electrostatic charges according to EN IEC 60079-0
- SB** Floor fastening (see data sheet [SD523](#) „Fastenings for classic-floor versions design ...“)
- WA** Wall fastening inside/ outside
- SZ** Ground vault



* clear width

Type	Sizes (mm / inches) with floor			
	H	B	b	T
110.070.050	1140/ 44.9	700/ 27.6	490/ 19.3	500/ 19.7
110.070.070				700/ 27.6
110.070.090				900/ 35.4
110.070.110				1100/ 43.3
110.090.050		900/ 35.4	690/ 27.2	500/ 19.7
110.090.070				700/ 27.6
110.090.090				900/ 35.4
110.090.110				1100/ 43.3

Type	Sizes (mm / inches) with floor			
	H	B	b	T
110.110.050	1140/ 44.9	1100/ 43.3	890/ 35.0	500/ 19.7
110.110.070				700/ 27.6
110.110.090				900/ 35.4
110.110.110				1100/ 43.3

Dimensions in mm/inches