

CLASSIC 110.155.xxx - double door

Reinforced glassfibre polyester parts, sandwich construction, insulated with polyurethane foam core
 Corner posts of GRP with vertical c-rails
 Textured surface in grey RAL 7032
 Protection class IP54

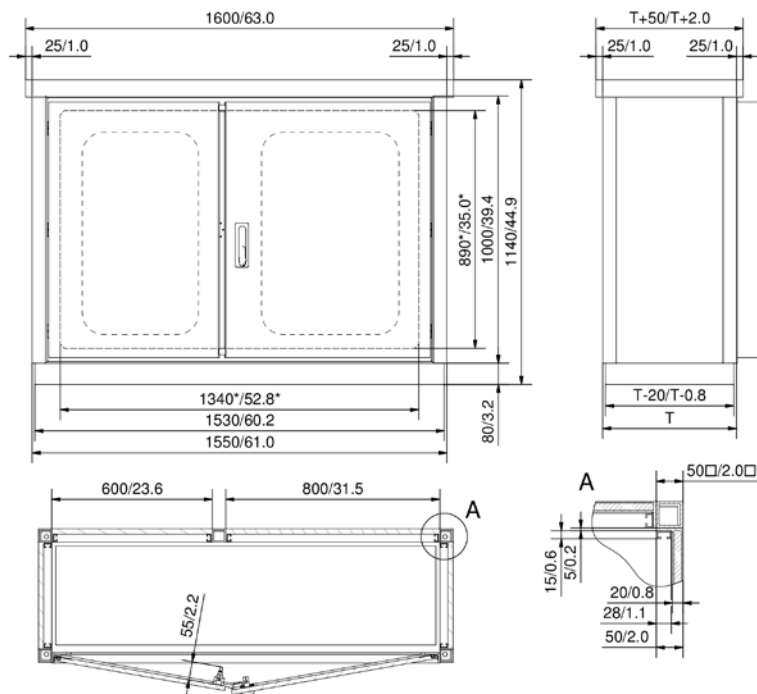
Vertical c-rails provided at the side wall and rear wall
 Door with 3-point locking device single lever handle and basquill-locking-device for left door and overlapflange of stainless steel
 Roof overhang 25 mm/ 1.0" all around

Arrangement

Floor (see data sheet [SD522](#) „Floor versions for classic series“)

Options

- MP** Mounting plate
- FA/FS** Acrylic glass/ Safety glass window
- SG** swing handle with key lock burglary resistant
- C-VA** Vertical c-rails in stainless steel instead of aluminium
- GO** antistatic to avoid electrostatic charges according to EN IEC 60079-0
- SB** Floor fastening (see data sheet [SD523](#) „Fastenings for classic-floor versions design ...“)
- WA** Wall fastening inside/ outside
- SZ** Ground vault



Dimensions in mm/ inches

* clear width

Type	Sizes (mm / inches) with floor		
	H	B	T
110.155.050	1140/ 44.9	1550/ 61.0	500/ 19.7
110.155.070			700/ 27.6
110.155.090			900/ 35.4
110.155.110			1100/ 43.3

