

...STEAM Steam heater

6 Power Output

The power output of the different ...STEAM heaters depends on the set point temperature and the temperature of the heating medium (Freeze protection for example +10°C or set point temperature).

The table below indicates performance. For further information, please consult the factory.

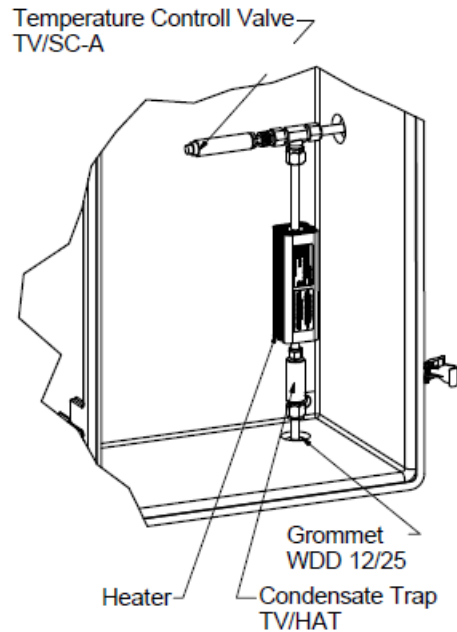
Type	Steam +130°C / 2,5 bar		Water +90°C	
	+10°C	+40°C	+10°C	+40°C
MICROSTEAM	79 W	53 W	45 W	23 W
MULTISTEAM	240 W	159 W	135 W	69 W
VARISTEAM (installed horizontally)	614 W	418 W	358 W	190 W
SLIMSTEAM	223 W	151 W	128 W	68 W
MEGASTEAM	395 W	264 W	224 W	116 W

The above values apply if the fins are positioned vertically and if a minimum distance of approx. 30 mm to the enclosure wall is maintained.

7 Installation

- Alternatively to the glycol/water installation, the steam design requires a slope in the tubing installation.
- Several heaters, especially VARISTEAM heaters, may be arrayed on one pipe.
- The condensate trap can be mounted inside or outside the enclosure with low distance. The distance from the enclosure should not be too wide, so that the heat conductance keeps it frost free.
- Our silicone grommets Type WDD are suitable for use as wall bushings => see data sheet [KD162](#)

7.1 Mounting sample for MICROSTEAM



7.2 Mounting sample for VARISTEAM

