





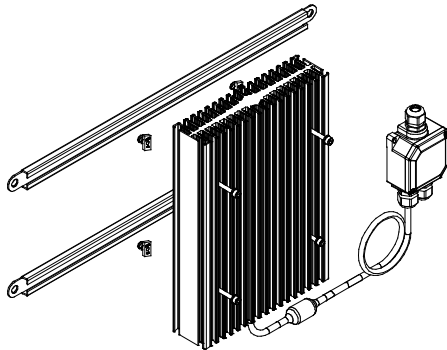
## 7 Installation, Minimum Clearances

During installation, attention should be paid to the following:

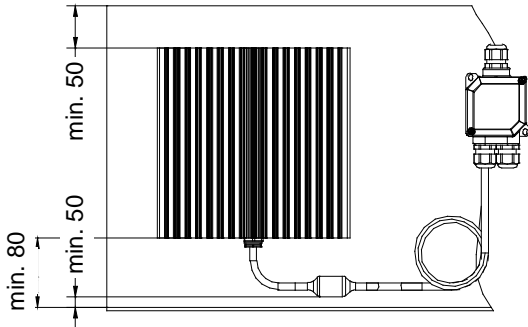
- installation and operating instructions supplied with the heater MEGATHERM
- The fins must be positioned vertically
- Please note minimum clearances to the enclosure, as per 7.1.1 and 7.1.2
- For temperature maintenance install the TAE thermostat on the heater, see 7.2
- The cable must be clearly legible

Bolts and nuts are included in the mounting kit.

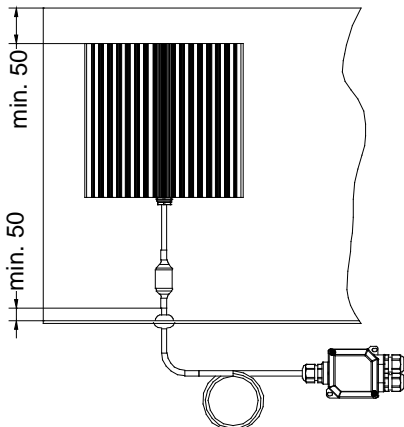
### 7.1 MEGATHERM with TS



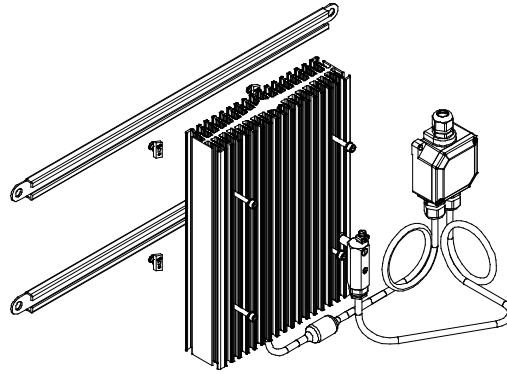
#### 7.1.1 with customer-supplied internal junction box



#### 7.1.2 with customer-supplied external junction box

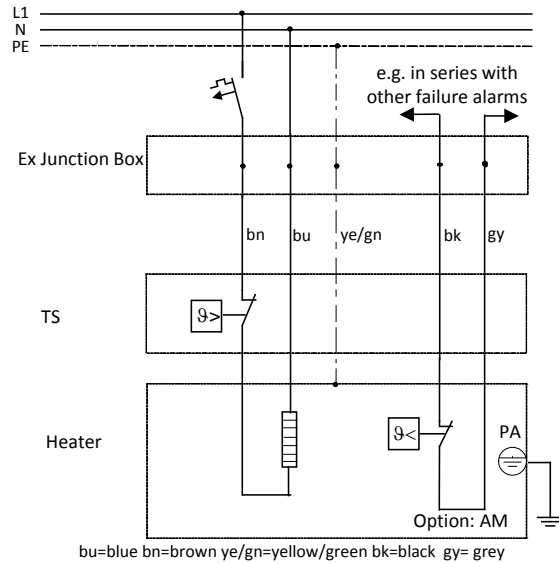


### 7.2 MEGATHERM with TAE



## 8 Wiring Diagramme

### 8.1 MEGATHERM TS



### 8.2 MEGATHERM TS40 with TAE

