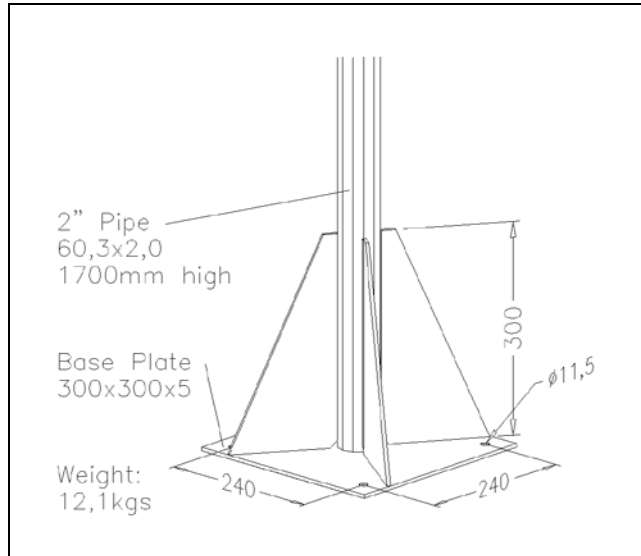


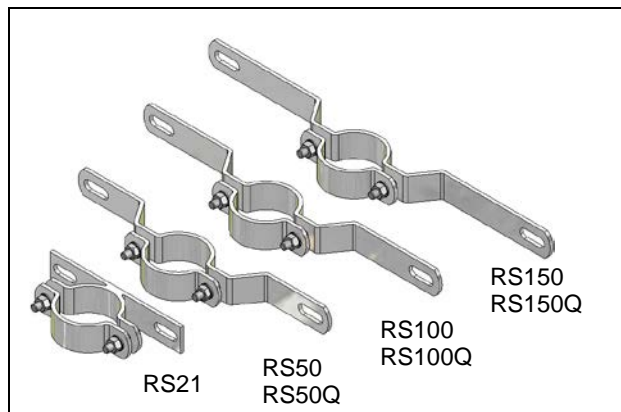
Shades SD 22, SD 40, SD 50, SD 100, SD 150 Mounting Accessories

1 Pipe stand 2"



ST17-2, 1700mm high for mounting the shades

2 Pipe mounting Bracket (RS)

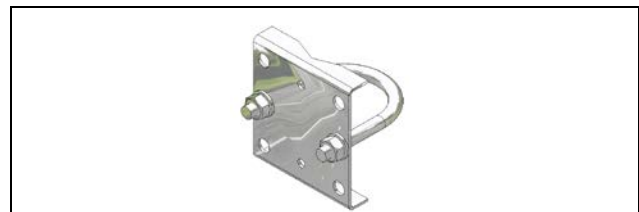


For mounting the Shades on 2" pipe stand

3 Mountingsystem



MB-SD 22/37/40 with U- bolt M8 for mounting of shade SD22, SD40 or DIASHADE 37 to 2" pipestand.



MB-SD with 2"U-bolt for mounting of shades to 2" pipestand.



Bracket (BBV) and 2 pcs. 2"U- bolt (BB2") for mounting of manifolds to pipestand

Mounting example Shade SD 22

