

Sunshade - DIASHADE SD 37, SD 67, SD 127, SD187

Material: hot-pressed, glassfibre reinforced polyester
 Colour: light grey RAL 7032
 UV-resistant
 Low flammability and self-extinguishing

Option

- GO antistatic to avoid electrostatic charges according to DIN EN IEC 60079-0

1 Application

Simple shielding of instruments and fittings designed to ensure protection from:

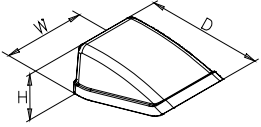
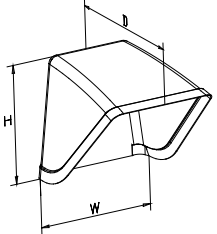
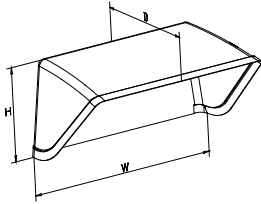
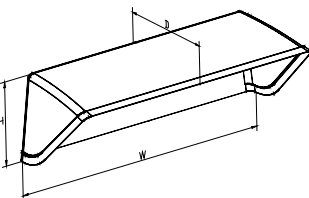
- Sun light (overheating)
- Dirt accumulation
- Exposure to atmospheric conditions
- Mechanical damage



2 Features

- The drip lip all around and cone shaped design allow rain and melt water to run off easily.
- Large lateral surfaces provide excellent protection from the sun, especially in case of low sun angles.
- Various mounting possibilities, especially for the protection of Transmitters, are available, as for example direct mounting of the SD37 at the Transmitter head or mounting to the pipe stand or steel construction (see Datasheet: sample application and Mounting material [KD287](#))
- Heat-insulating material preventing the heat generated by solar radiation to be transferred.
- Stackable for space-saving transport and storage due to tapered side walls.

3 Available Types and Dimensions

	DIASHADE SD 37 H x W x D 150 x 240 x 350
	DIASHADE SD 67 H x W x D 370 x 365 x 455
	DIASHADE SD 127 H x W x D 370 x 765 x 455
	DIASHADE SD 187 H x W x D 370 x 1170 x 455