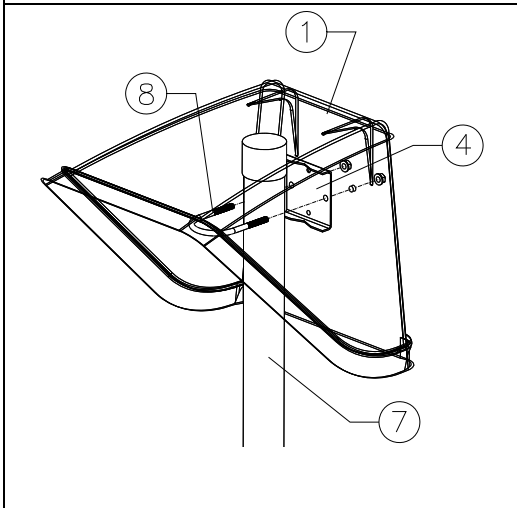
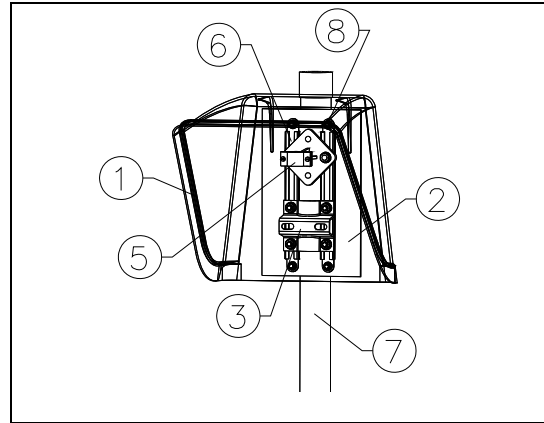
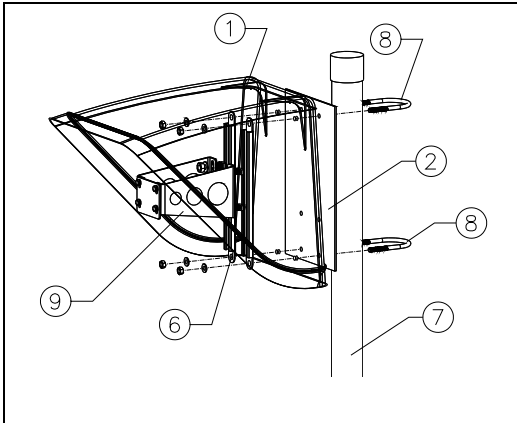


Shade - DIASHADE SD 37, SD 67, SD 127, SD 187

Mounting Accessories



- 1= DIASHADE - SD 67
- 2= Mounting plate MP-SD67/SD127
- 3= Mounting bracket for manifolds etc.
- 4= Mounting bracket and 2" U-Bolt for fastening of the DIASHADE (MB-SD67)
- 5= Instrument support for pressure gauges etc.
- 6= 2 x C-rail MS50QS
- 7= 2" Pipe stand
- 8= 2" U-Bolt for fastening of the mounting plate (2) and the mounting bracket (4)
- 9= Mounting system MSW for fastening of manifolds