

BASIC 100.129.xxx – double door

Reinforced glassfibre polyester parts, sandwich construction, insulated with polyurethane foam core
 Textured surface in grey RAL 7032
 Protection class IP54
 Vertical c-rails provided at the rear wall

Door with 3-point locking device and burglary-resistant swing handle with profile cylinder to DIN 18252 (lockable)
 Basquil-locking-device for left door and overlapflange of stainless steel

Arrangement

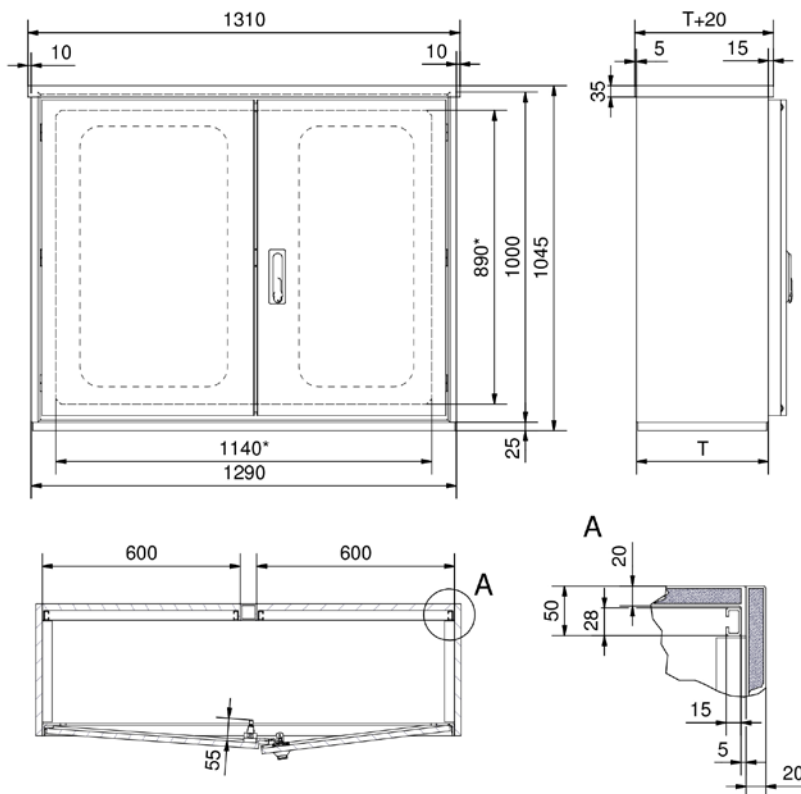
Floor: Sandwich-floor with PU-foam core 25 mm (standard)

- Upon special request: GRP 5 mm
- GRP 5 mm with opening size (see data sheet [SD525](#), floor version C BASIC)

- FA/FS** Acrylic glass/ Safety glass window
- C-VA** Vertical c-rails in stainless steel instead of aluminium
- GO** antistatic to avoid electrostatic charges according to EN IEC 60079-0
- SB** Floor fastening
- WA** Wall fastening inside/ outside
- SZ** Ground vault for installation in the ground

Options

- MP** Mounting plate



* clear width

Type	Sizes (mm) with floor		
	H	B	T
100.129.030	1045	1290	300
100.129.040			400
100.129.060			600
100.129.080			800
100.129.100			1000