

# CLASSIC 110.195.xxx - double door

Reinforced glassfibre polyester parts, sandwich construction, insulated with polyurethane foam core  
 Corner posts of GRP with vertical c-rails  
 Textured surface in grey RAL 7032  
 Protection class IP54  
 Vertical c-rails provided at the side wall and rear wall

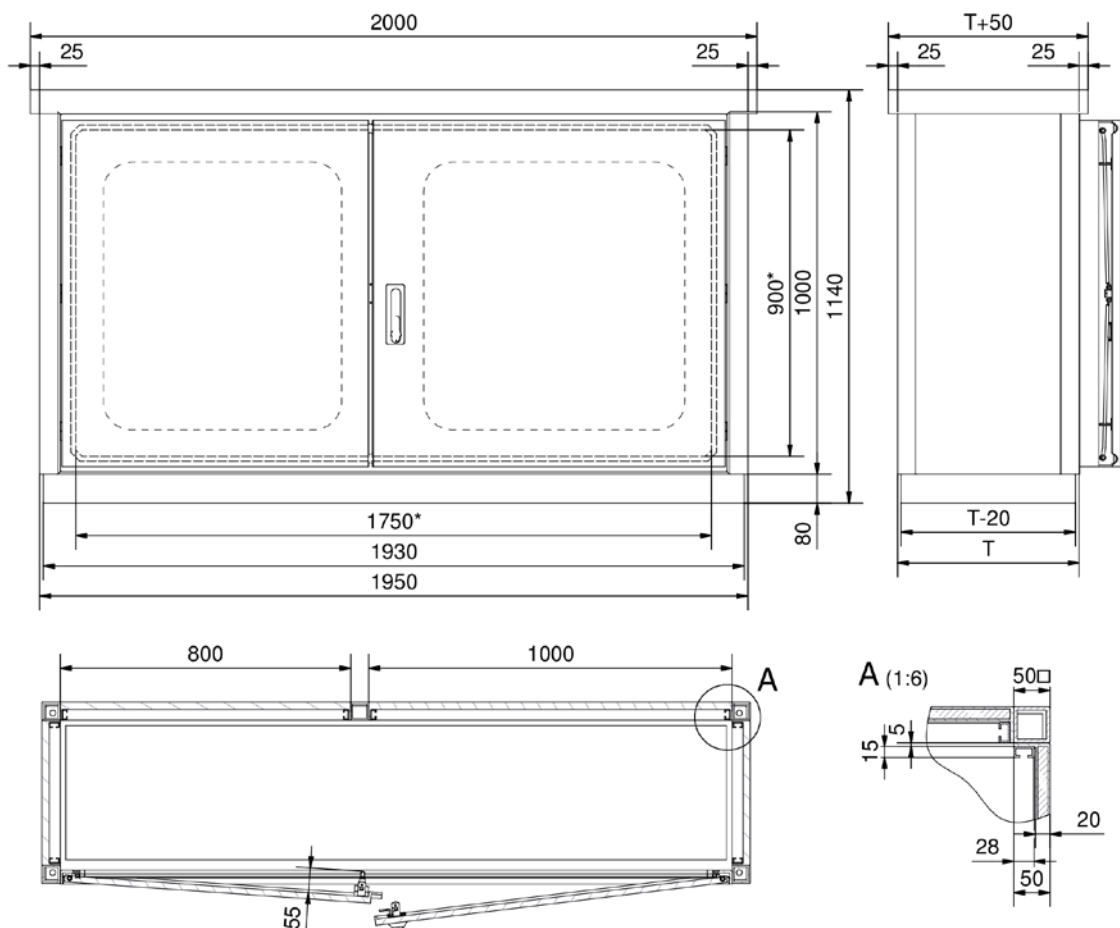
Door with 3-point locking device with burglary-resistant swing handle with profile cylinder to DIN 18252 (lockable)  
 Basquil-locking-device for left door and overlapflange of stainless steel  
 Roof overhang 25 mm all around

## Arrangement

Floor (see data sheet [SD522](#) „Floor versions for classic series“)

## Options

- MP** Mounting plate
- FA/FS**  Acrylic glass/  Safety glass window
- C-VA** Vertical c-rails in stainless steel instead of aluminium
- GO** Antistatic to avoid electrostatic charges according to EN IEC 60079-0
- SB** Floor fastening (see data sheet [SD523](#) „Fastenings for classic-floor versions design ...“)
- WA** Wall fastening  inside/  outside
- SZ** Ground vault



\* clear width

Type	Sizes (mm) with floor		
	H	B	T
110.195.050	1140	1950	500
110.195.070			700
110.195.090			900
110.195.110			1100